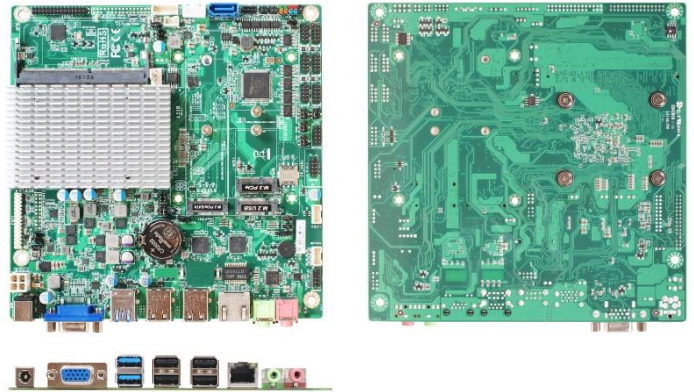


# JLI1BV-00 Series

Intel® Elkhart Lake J6412 CPU, DDR4 up to 32GB, 1\* 2.5GbE

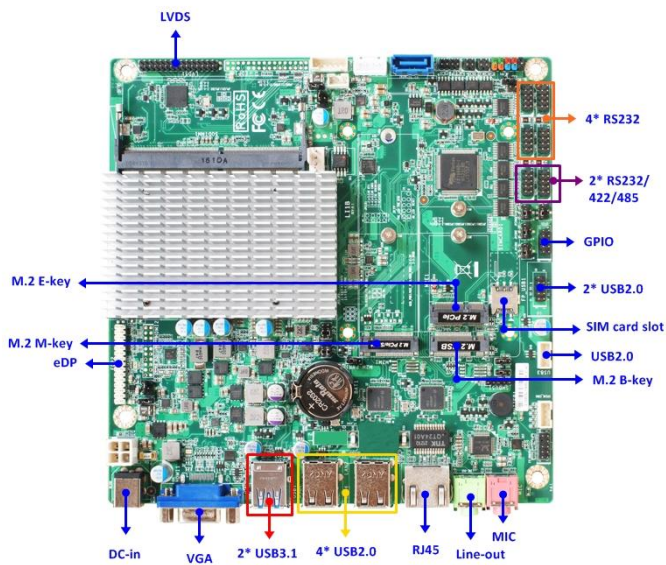
## Features

1. Intel® Elkhart Lake J6412 2.0GHz/QC Core MCP Processor (Turbo 2.6GHz)
2. 1\* DDR4 3200MHz up to 32GB
3. Realtek HD Audio
4. 1\* Intel® i225V 2.5GbE
5. 1\* SATAIII, 1\* M.2 (M-key)
6. 1\* VGA, 1\* eDP, 1\* LVDS
7. 2\* RS232/422/485, 4\* RS232, 2\* USB3.1 (Gen. 1), 7\* USB2.0
8. 1\* M.2 E key Support WIFI/BT Module , 1\* M.2 B key Support 4G/5G Module
9. 12V DC-in
10. Thin MINI ITX Form Factor (170 \*170 mm)

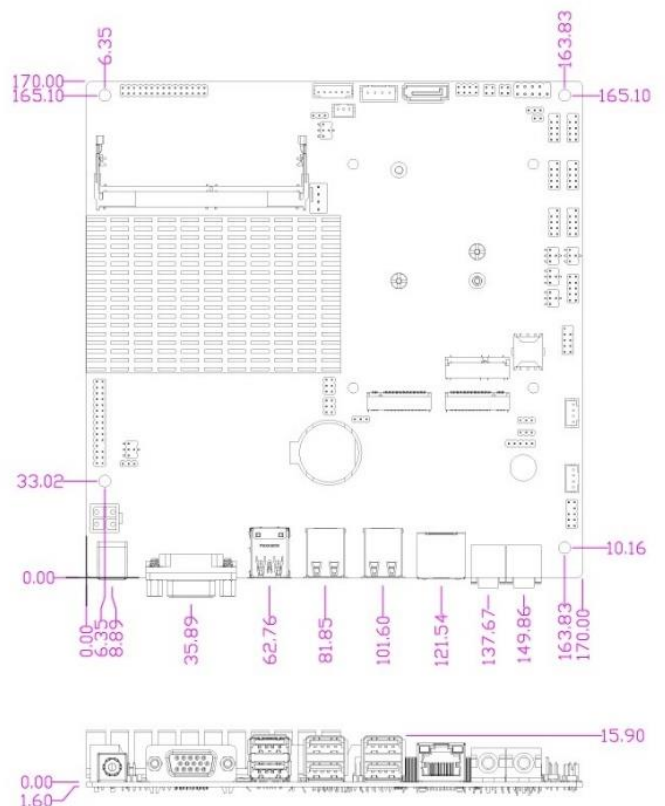


intel. FC CE RoHS COMPLIANT

## I/O Diagram



## Mechanical Drawings (Unit=mm)



## Specifications

<b>Model</b> <ul style="list-style-type: none"><li>JLI1BV-00</li><li>JLIBV-002 (TPM2.0)</li></ul>	<b>Form Factor</b> <p>ITX (170 * 170mm)</p>
<b>Processor System</b> <ul style="list-style-type: none"><li>Intel® Elkhart lake J6412 Quad Core MCP SoC Processor</li><li>JLI1BV-00 (Quad Core 2.0GHz/10W, Turbo 2.6GHz)</li><li>AMI 128M Flash ROM</li></ul>	<b>Memory</b> <p>1* DDR4 3200MHz SO-DIMM up to 32GB</p>
<b>Storage</b> <ul style="list-style-type: none"><li>1* SATAIII (6.0 Gb/s)</li><li>1* M.2 M-key (2242/2280, SATA or NVMe- PCIe x2)</li></ul>	<b>Expansion</b> <ul style="list-style-type: none"><li>1* M.2 E-key (2230, support WIFI/BT Module)</li><li>1* M.2 B-key (3042/3052, support 4G/5G Module)</li><li>1* Nano SIM card slot</li></ul>
<b>Ethernet</b> <p>1* Intel® i225V 2.5GbE</p>	<b>Graphics</b> <ul style="list-style-type: none"><li>Intel® HD Graphics, shared memory</li><li>1* VGA (Max Resolution: 2560x1600@60Hz, Co-lay HDMI)</li><li>1* LVDS (Max Resolution: 2560x1600@60Hz, Co-lay eDP)</li><li>1* eDP (Max Resolution: 4096x2304@60Hz, Co-lay HDMI)</li><li>Support Triple Displays</li></ul>
<b>Audio</b> <ul style="list-style-type: none"><li>Realtek HD Audio</li><li>3W Speaker Amplifier</li></ul>	<b>Watchdog Timer</b> <ul style="list-style-type: none"><li>From Super I/O to drag RESETCON#</li><li>256 segments (10sec ~ 255min)</li></ul>
<b>Internal I/O</b> <ul style="list-style-type: none"><li>3* USB2.0</li><li>2* RS232/422/485</li><li>4* RS232</li><li>1* SATAIII, 1* SATA Power</li><li>3* M.2 (M key + E key + B key)</li><li>1* GPIO (8 bit, 5V)</li><li>1* AT mode</li><li>1* I2C/SMBUS</li><li>1* FP_Audio</li><li>1* Speaker</li><li>1* TPM2.0 (Option)</li><li>1* CPU FAN</li></ul>	<b>External I/O</b> <ul style="list-style-type: none"><li>1* VGA</li><li>1* RJ45</li><li>2* USB3.1 (Gen. 1)</li><li>4* USB2.0</li><li>Line-out</li><li>MIC</li><li>12V DC-in</li></ul>
<b>Power</b> <p>12V DC-in, AT/ATX Supported</p> <p>- AT: Directly PWR on as Power input ready</p> <p>- ATX: Press Button to PWR on after Power input ready</p>	<b>Compliance</b> <p>CE, FCC, RoHS, REACH</p>
<b>Temperature</b> <ul style="list-style-type: none"><li>Operating Temperature: 0 ~ 60° C</li><li>Storage Temperature: -20 ~ 70° C</li><li>Humidity: 10% ~ 90% RH @40°C (non-condensing)</li></ul>	<b>OS Support</b> <p>Windows 10, Linux</p>
<b>Warranty</b> <p>2 Years limited warranty</p>	

\* Specifications subject to change without notice, not responsible for typographical errors. Does not include HDD or OS.

## Ordering Info

Part Number	Description
JLI1BV-00 Series	JLI1BV-00 / JLIBV-002 (TPM2.0) M/B
G01-SATA3-BL-1F	SATAIII cable
G01-XH4-SA15A-30F	SATA Power cable
G01-COM-H2M20-1F	COM9 cable
F04-MB-054-F	I/O Shield